

# Specifications

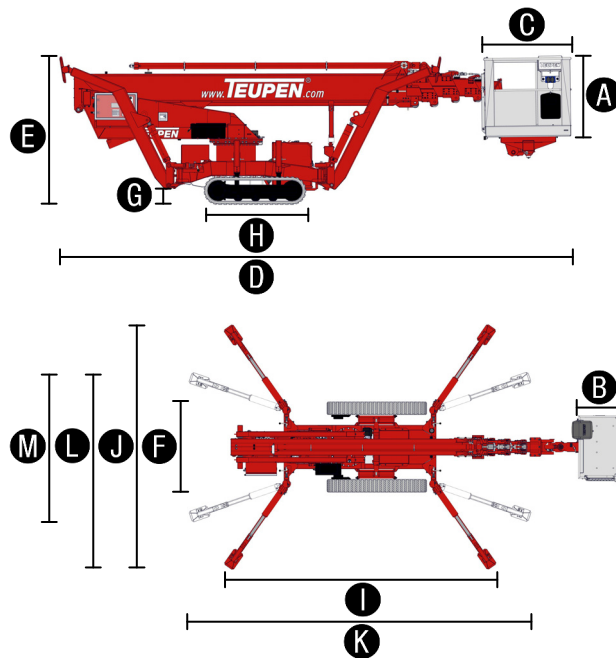
MEASUREMENTS	Metric	US
Working height, max.	25,00 m	82 ft
Horizontal outreach with 80 kg	15,50 m	50 ft 10 in
Horizontal outreach with 200 kg	12,50 m	41 ft
Platform height (A)	1,10 m	3 ft 7 in
Platform length (B)	0,80 m	2 ft 8 in
Platform width (C)	1,20 m	3 ft 11 in
Length, overall (D)	7,22 m	23 ft 8 in
Height, travelling position (E)	1,98 m	6 ft 6 in
Width, min. (F)	1,78 m	5 ft 10 in
Ground clearance, max. (G)	0,40 m	1 ft 4 in
Track (L x W) (H)	1,45 m x 0,20 m	4 ft 9 in x 7¾ in
Length outrigger footprint standard (I)	5,00 m	16 ft 5 in
Width outrigger footprint standard (J)	4,75 m	15 ft 7 in
Length footprint one side narrow (K)	6,00 m	19 ft 8 in
Width footprint one side narrow (L)	3,89 m	12 ft 9 in
Width footprint both sides narrow (M)	3,03 m	9 ft 11 in
Outrigger plate (L x W)	0,31 m x 0,22 m	12 in x 8½ in

PRODUCTIVITY	Metric	US
Basket capacity	200 kg	441 lbs
Movable jib	-	-
Basket rotation	180°	180°
Turret rotation	450°	450°
To be jacked up on ground slope of	13,0°/23,0 %	13,0°/23,0 %
Height and width track adjustment	20/25 cm	8/10 in
Gradeability, max.	16,7°/30,0 %	16,7°/30,0 %
Slope angle	15,7°/28,0 %	15,7°/28,0 %
Travel speed	1,5 km/h	0.9 mph

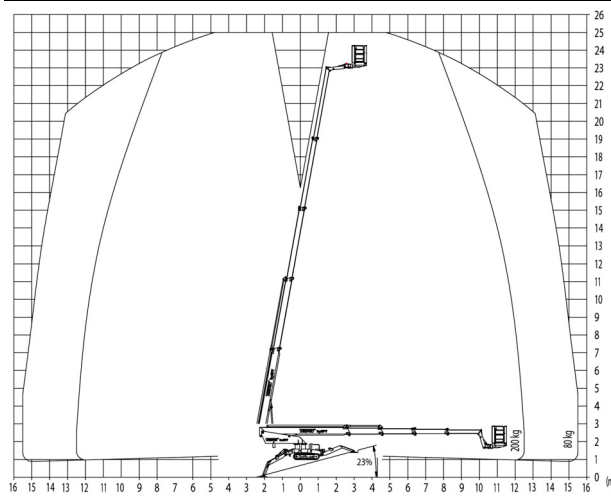
WEIGHT	Metric	US
Total weight	3000 kg	6614 lbs
Live load in travelling position	2,27 kN/m <sup>2</sup>	47.4 psf
Live load in working position	1,54 kN/m <sup>2</sup>	38.2 psf
Point load per outrigger plate	21,8 kN	4901 lbf

POWER		
Standard power sources (Electric and combustion engine)	<b>1) Electric:</b> EU: 230 V, 12,9 A, 2,2 kW US: 115 V, 19.3 A, 1.6 kW	
	<b>2) Diesel:</b> Kubota D 722-E3 (14,1 kW/20,0 hp)	
Optional power source	-	
Fuel tank capacity Diesel engine	12,0 l	3.17 gal

## LEO 25T



### WORKING ENVELOPE



### STANDARDS COMPLIANCE



EN ISO 9001



Product specifications are subject to change without notice or obligation. Photographs and drawings in this document are for illustrative purposes only. Refer to the appropriate Operator's Manual for instructions on the proper use of this equipment. Failure to follow the appropriate Operator's Manual when using our equipment or to otherwise act irresponsibly may result in serious injury or death. The only warranty applicable to our equipment is the standard written warranty applicable to the particular product and sale and we make no other warranty, expressed or implied. Products and services listed may be trademarks, service marks or trade-names of Teupen Maschinenbau GmbH and/or its subsidiaries in the U.S.A. and many other countries. "Teupen", "Access redefined" and "LEO Series" are registered Trademarks of Teupen GmbH in the United States of America and many other countries. Version 2014-A © 2014 Teupen Maschinenbau GmbH.

# Features

## TRACK CHASSIS

- Powerful track drive with hydraulic braking system
- Precise maneuvering over sensitive electrohydraulic cable remote control
- Rubber tracks with specially arranged profile providing optimum grip
- White, non-marking rubber tracks
- Mechanically height- and width adjustable track chassis

## STABILISATION

- Fully-hydraulic, automatic levelling system with outrigger/stabiliser setup monitoring
- Variable stabiliser/outrigger system with one-side or both-sides narrow setup option

## BOOM SYSTEM

- Telescoping boom made from robust steel and aluminium profiles on wear-resistant rollers
- All functions are available from one control panel
- Electric-proportional controls with intuitive operator guidance
- Robust, lockable control panel with integrated operation and display function
- Self-levelling platform with fully-hydraulic levelling system
- 180° basket rotation
- Boom rotation via high-performance slew ring, worm gear and hydraulic motor
- Basket changing system

## POWER SOURCES

- 230 V electric motor (EU), 115 V electric motor (US)
- Kubota Diesel engine D722-E3 (14,9 kW/20,0 hp), silenced
- Start-Stop switch of combustion engine in the basket

## PRODUCTIVITY, SAFETY, QUALITY

- 230 V (EU), 115 V (US) power outlet in the basket
- Ergonomically shaped basket with eyelets for safety belts and tool tray
- Cable remote control in lockable storage box
- High-quality paint in RAL 3020 (red)
- Hydraulic emergency lowering over hand pump
- Cables and hoses are safely routed through the boom structure
- Biodegradable hydraulic oil
- Lock valves - hydraulic return valves directly on all hydraulic cylinders
- Relief valves protecting the hydraulic system from too high pressures
- Protective covers for oil-tank, emergency controls and connecting cables and hoses
- Easily removable covers for optimal accessibility
- Hour meter
- Complete second control box on the chassis and error analysis with display



## OPTIONS

- Electric emergency lowering (12 kg/24 lbs additional weight)
- Custom paintwork, one colour, according to RAL scheme (except metallic coatings, signal- or special colors)
- Custom paintwork, two colours, according to RAL scheme (except metallic coatings, signal- or special colors)
- Additional machine lighting according to country-specific regulations
- Height shut-off system for boom, 2 set-points
- Separating grate in basket (10 kg/22 lbs additional weight)
- Basket\* (900 x 800 mm/2 ft 11 in x 2 ft 7 in) instead of the standard basket. This option can only be ordered in combination with the basket holder.
- Basket holder, detachable (for 900 x 800 mm/2 ft 11 in x 2 ft 7 in basket)

*\* Choosing other basket sizes results in different machine specifications and performance.*

## ACCESSORIES

- Outrigger/Stabiliser pad (340 x 850 mm/1 ft 1 in x 2 ft 9 in)
- Track mat (2000 x 800 x 15 mm/6 ft 6 in x 3 ft 3 in x ½ in)
- Safety harness
- 2 protective track covers, made of high-quality polypropylene fabric
- Treecare package, consisting of:
  - Protective cover hydraulic tank
  - Protective cover ground control panel
  - Covers on piston rod (outrigger/stabiliser) cylinder
- 4 covers on piston rod (outrigger/stabiliser) cylinder (additional weight: 10 kg/22 lbs)

*\*\*When using the Low trailer no additional options & accessories are possible to keep total weight below the permissible gross laden weight of 3,5 t.*

## TRAILERS

- Tandem Low Platform trailer (aluminium) including 4 tension belts (length 3,50 m/11 ft 6 in)  
Permissible total weight: 3500 kg/7,716 lbs  
Tandem rubber-sprung axle: 3500 kg/7,716 lbs  
Net weight: approx. 430 kg/948 lbs  
Wheels 155/70/R12 ET20, Lighting fitting according to EU directives

### Enquiries from Europe, Asia, Middle East & Africa:

#### Corporate Headquarters

**Teupen Maschinenbau GmbH**  
Marie-Curie-Str. 13  
48599 Gronau, Germany

phone +49 2562 8161-0  
fax +49 2562 8161-888

mail@teupen.com  
www.teupen.com

### Enquiries from North & South America:

#### US Office

**Teupen USA, Inc.**  
10701 Southern Loop Blvd.  
Pineville, NC 28134, USA

phone (704) 248-9871  
fax (704) 248-9889

infousa@teupen.com  
www.teupen.com/us