

Specifications

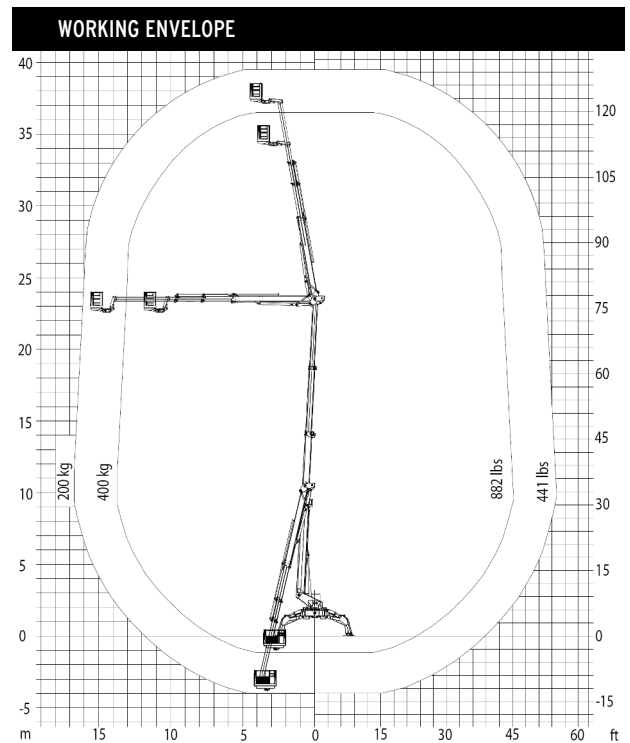
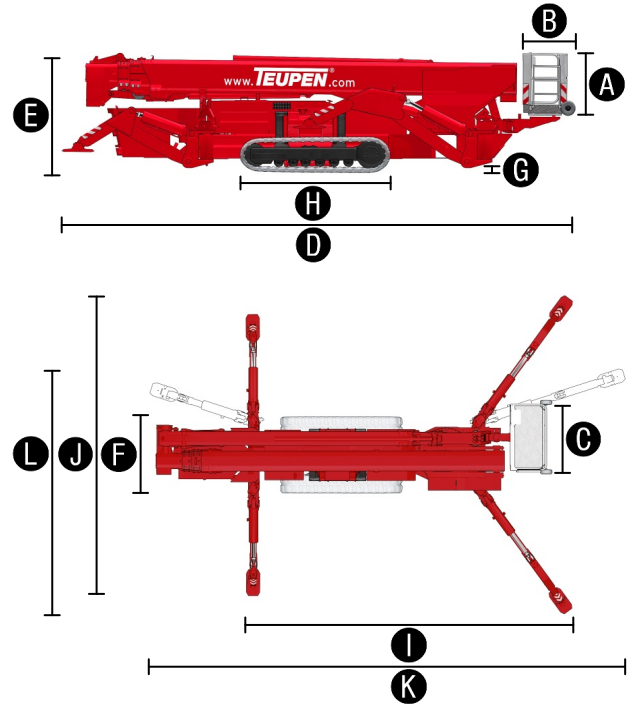
LEO 40 GTX

MEASUREMENTS	Metric	US
Working height with 200 kg	39,50 m	129 ft 1 in
Working height with 400 kg	36,50 m	119 ft 9 in
Horizontal outreach with 200 kg	16,70 m	54 ft 9 in
Horizontal outreach with 400 kg	13,00 m	42 ft 7¾ in
Up-and-over clearance, max.	22,00 m	72 ft 2 in
Platform height (A)	1,10 m	3 ft 7 in
Platform length (B)	0,80 m	2 ft 8 in
Platform width (C)	1,50 m	4 ft 11 in
Length, overall (D)	8,20 m	26 ft 11 in
Height, travelling position (E)	1,98 m	6 ft 6 in
Width, min. (F)	1,58 m	5 ft 3 in
Ground clearance, max. (G)	0,56 m	1 ft 10 in
Track (L x W) (H)	2,41 m x 0,40 m	8 ft x 1 ft 3¾ in
Length outrigger footprint standard (I)	6,75 m	22 ft 2 in
Width outrigger footprint standard (J)	5,55 m	18 ft 2½ in
Length footprint one side narrow (K)	9,00 m	29 ft 6¾ in
Width footprint one side narrow (L)	3,90 m	12 ft 9½ in
Outrigger plate (L x W)	0,52 m x 0,27 m	20½ in x 10½ in

PRODUCTIVITY	Metric	US
Basket capacity	400 kg	882 lbs
Movable jib	-	-
Basket rotation	180°	180°
Turret rotation	450°	450°
Turret rotation, one side narrow	120°	120°
To be jacked up on ground slope of	16,7°/30,0 %	16.7°/30.0 %
Height and width track adjustment	50/32 cm	19¾/12½ in
Gradeability, max.	16,7°/30,0 %	16.7°/30.0 %
Slope angle	15°/27,0 %	15°/27.0 %
Travel speed	1,6 km/h	1.0 mph

WEIGHT	Metric	US
Total weight	11900 kg	26235 lbs
Live load in travelling position*	4,80 kN/m ²	100 psf
Live load in working position	4,00 kN/m ²	83.5 psf
Point load per outrigger plate, max.	75,5 kN	16861 lbf

POWER	Metric	US
Power sources (Electric and combustion engine)	1) Electric: 400 V, 15,7 A, 7,5 kW 2) Diesel: Kubota V 2203-M (20,1 kW/26,9 hp)	
Fuel tank capacity Diesel engine	80,0 l	21.13 gal



STANDARDS COMPLIANCE



Product specifications are subject to change without notice or obligation. Photographs and drawings in this document are for illustrative purposes only. Refer to the appropriate Operator's Manual for instructions on the proper use of this equipment. Failure to follow the appropriate Operator's Manual when using our equipment or to otherwise act irresponsibly may result in serious injury or death. The only warranty applicable to our equipment is the standard written warranty applicable to the particular product and sale and we make no other warranty, expressed or implied. Products and services listed may be trademarks, service marks or trade-names of Teupen Maschinenbau GmbH and/or its subsidiaries in the U.S.A. and many other countries. "Teupen", "Access redefined" and "LEO Series" are registered Trademarks of Teupen GmbH in the United States of America and many other countries. Version 2014-A © 2014 Teupen Maschinenbau GmbH.

* When an area has been cordoned off: 2,40 x 10,00 m

Features

TRACK CHASSIS

- Powerful track drive with hydraulic braking system
- Precise maneuvering over sensitive electrohydraulic radio remote control
- Black rubber tracks with specially arranged profile providing optimum grip
- Hydraulically height- and width adjustable track chassis

STABILISATION

- Fully-hydraulic, automatic levelling system with outrigger/stabiliser setup monitoring
- Variable stabiliser/outrigger system with one-side narrow setup option

BOOM SYSTEM

- 4-section steel lower telescopic boom on wear-resistant sliding blocks
- Reliable 3-section steel and aluminium upper boom on wear-resistant rollers
- Basket positioning into negative work area up to approx. 4 m/12 ft below setup level
- Over 200 kg/441 lbs automatic height cut-off at 36,5 m/119 ft 9 in
- All functions are available from one radio remote control panel
- Electric-proportional radio remote controls with intuitive operator guidance
- Robust, lockable control panel with integrated operation and display function
- Self-levelling platform with fully-hydraulic, active levelling system
- 180° basket rotation
- Boom rotation via high-performance slew ring, worm gear and hydraulic motor
- Basket changing system

POWER SOURCES

- 400 V electric motor
- 4-cylinder Kubota V 2203-M Diesel engine, silenced (20,1 kW/26,9 hp)
- Start-Stop switch of combustion engine in the basket

PRODUCTIVITY, SAFETY, QUALITY

- 230 V (EU), 115 V (US) double power outlet in the basket
- Ergonomically shaped basket with eyelets for safety belts and tool tray
- Lockable storage box for radio remote control
- High-quality paint in RAL 3020 (red)
- Electrically regulated emergency control system
- Cables and hoses are safely routed through the boom structure
- Biodegradable hydraulic oil
- Lock valves - hydraulic return valves directly on all hydraulic cylinders
- Relief valves protecting the hydraulic system from too high pressures
- Protective covers for oil-tank, emergency controls and connecting cables and hoses
- Easily removable covers for optimal accessibility
- Hour meter
- Fuzzy control technology



OPTIONS

- White, non-marking rubber tracks instead of black tracks
- Custom paintwork, one colour, according to RAL scheme (except metallic coatings, signal- or special colors)
- Custom paintwork, two colours, according to RAL scheme (except metallic coatings, signal- or special colors)
- Basket* (1200 x 800 mm/3 ft 11 in x 2 ft 7 in) with load limit device, instead of the standard basket
- This option can only be ordered in combination with the basket holder for the basket with the following measurements: 1200 x 800 mm
- Basket holder, detachable (for basket 1200 x 800 mm/3 ft 11 in x 2 ft 7 in)

** Choosing other basket sizes results in different machine specifications and performance.*

ACCESSORIES

- Additional exchange basket* (1800 x 800 mm/5 ft 11 in x 2 ft 7 in) incl. basket holder
- Outrigger/Stabiliser pad (1090 x 390 x 40 mm/3 ft 7 in x 1 ft 4 in x 1½ in), PVC (14,8 kg/33 lbs additional weight)
- Track mat (2000 x 800 x 15 mm/6 ft 6 in x 3 ft 3 in x ½ in)
- Safety harness
- Lockable storage frame for outrigger/stabiliser pads

Enquiries from Europe, Asia, Middle East & Africa:

Corporate Headquarters

Teupen Maschinenbau GmbH
Marie-Curie-Str. 13
48599 Gronau, Germany

phone +49 2562 8161-0
fax +49 2562 8161-888

mail@teupen.com
www.teupen.com

Enquiries from North & South America:

US Office

Teupen USA, Inc.
10701 Southern Loop Blvd.
Pineville, NC 28134, USA

phone (704) 248-9871
fax (704) 248-9889

infousa@teupen.com
www.teupen.com/us