

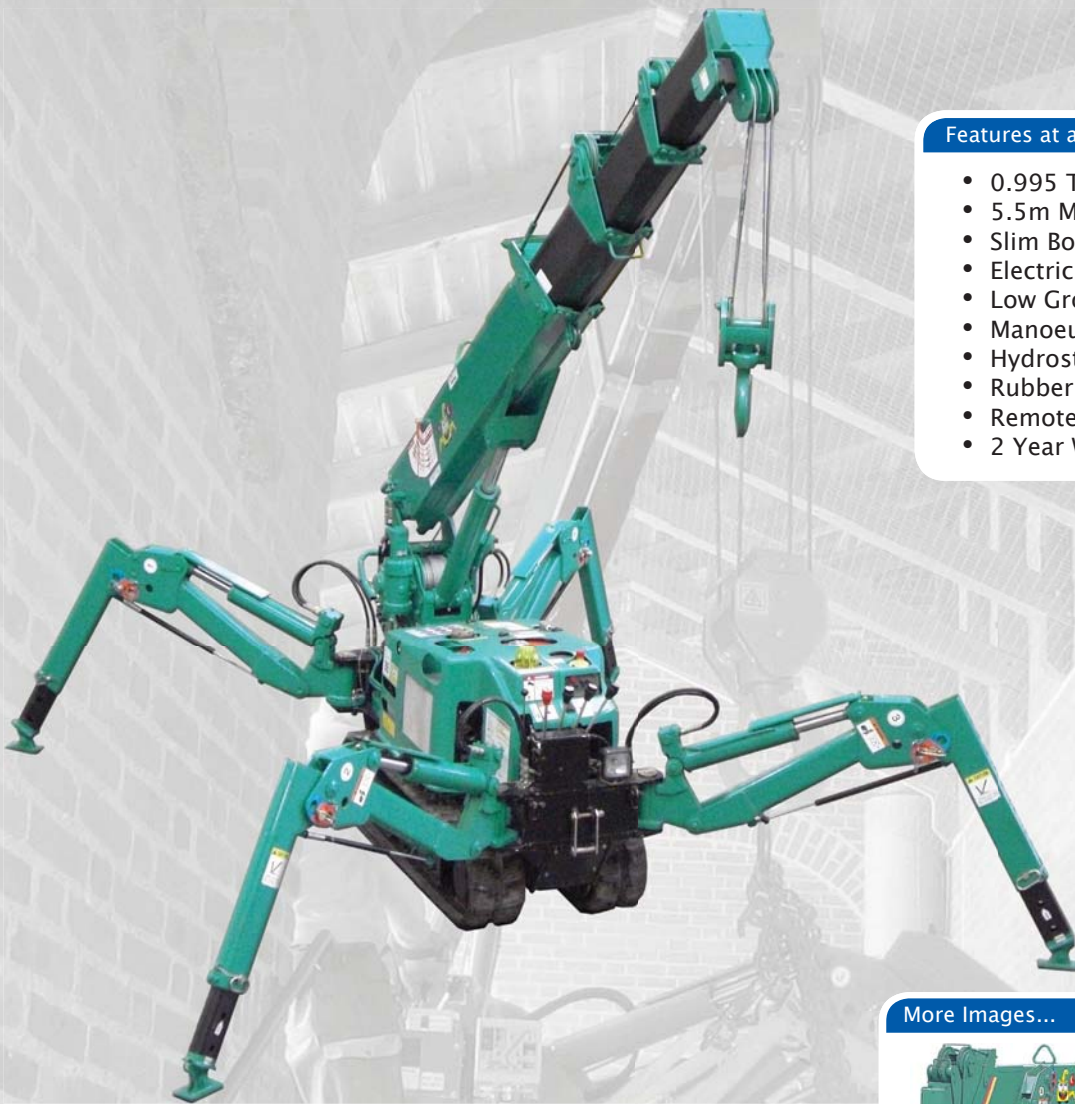


## MC104 CER Mini Crane

The MC104 is the baby of the Maeda mini cranes yet still has a fantastic lifting capacity throughout its range. Its slim body is able to fit through a standard doorway allowing access to areas previously inaccessible to standard cranes. The MC104 is powered by an electric motor which operates from any standard 3 phase electric source.

### Features at a glance...

- 0.995 Ton Max capacity
- 5.5m Max Working Height
- Slim Body (600mm)
- Electric Motor
- Low Ground Pressure
- Manoeuvrability & Stability
- Hydrostatic Transmission
- Rubber Tracks
- Remote Control
- 2 Year Warranty



### More Images...



Glazing



Stonework



Restricted Access



Rooftop Lift



Travelling

... consider the possibilities



### Specifications

Capacity	Maximum	0.995t x 1.1m
Working Radius	Maximum	5.1m x 200kg
Lifting Height	Maximum	5.5m x 650kg
Dimensions	MC104CER	2160mm x 600mm x 1305mm
Weight	MC104CER	1050kg
Hook Speed	Maximum	3.2m / min. (4 falls, 3rd layer)
Single Line Speed	Maximum	12.8m / min. (3rd layer)
Hoist Rope	Type	IWRC 6 x Fi (29) Ø 6mm x 39m
Telescopic System	Boom length Telescoping speed Boom type	1.85m - 5.30m 3.45m / 20sec. Fully automatic 4 section pentagonal telescopic boom
Boom Hoist System	Hoist angle / speed	0° - 75° / 11 sec.
Slew System	Slew angle / speed	360° continuous / 1.3 rpm
Outrigger System	Type	4 Multi position box type. Hydraulic cylinders with lock valves.
Traction System	Drive Travel speed Gradability Ground length x width Ground pressure	Hydrostatic type, stepless forward and reverse 0 - 1.9 km/h 20° 1044mm x 180mm (Track dimensions) 0.29 kgf / cm²
Motor	Electric Motor	5.5kw, 4P, 380v Totally enclosed fan-cooled type.
Standard Equipment	Working light, hour-meter, 4-fall hook block, black rubber tracks, cable remote control, overwind protection.	
Optional Equipment	White rubber tracks, single fall hook, two fall hook, radio remote control.	

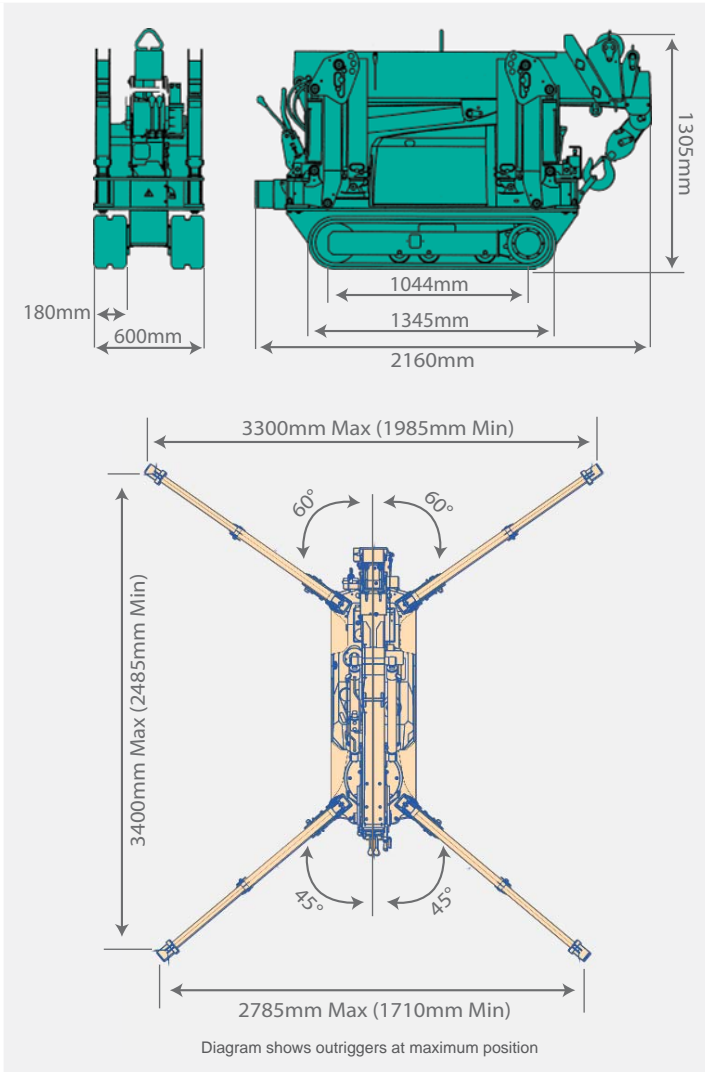
### Total rated load Outriggers at Maximum position

1.85m boom		3.00m boom		4.15m boom		5.30m boom	
Working radius (m)	Total rated load (kg)	Working radius (m)	Total rated load (kg)	Working radius (m)	Total rated load (kg)	Working radius (m)	Total rated load (kg)
< 1.1	995	< 1.1	995	< 1.8	820	< 2.4	650
1.3	980	1.3	980	2.0	750	2.5	620
1.5	890	1.5	890	2.5	620	2.8	550
1.65	790	2.0	750	2.8	550	3.0	500
		2.5	620	3.0	500	3.5	380
		2.8	550	3.5	380	4.0	300
				3.95	300	4.5	250
						5.1	200

### Total rated load Outriggers at any other position

1.85m boom		3.00m boom		4.15m boom		5.30m boom	
Working radius (m)	Total rated load (kg)	Working radius (m)	Total rated load (kg)	Working radius (m)	Total rated load (kg)	Working radius (m)	Total rated load (kg)
< 1.1	735	< 1.1	735	< 1.8	435	< 2.4	295
1.3	620	1.3	620	2.0	405	2.5	280
1.5	540	1.5	540	2.5	280	2.8	210
1.65	490	2.0	405	2.8	210	3.0	185
		2.5	280	3.0	185	3.5	140
		2.8	210	3.5	140	4.0	100
				3.95	110	4.5	75
						5.1	60

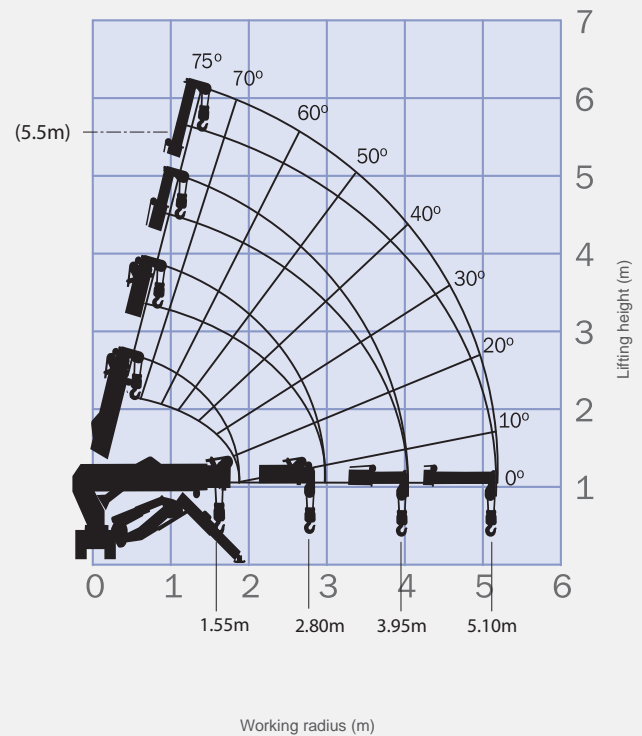
### Dimensions



### Maximum Reach Below Ground Level

Four Fall	Two Fall	Single Fall
8m	16m	32m

### Working Range Diagram



The Working Range Chart does not take into account boom deflection under load.