



Kranlyft



AL WALID EQUIPMENT RENTAL LLC

Contact Number : +971 50-2174706

www.walideqp.com

Maeda MC285CRM(E)

Technical specifications



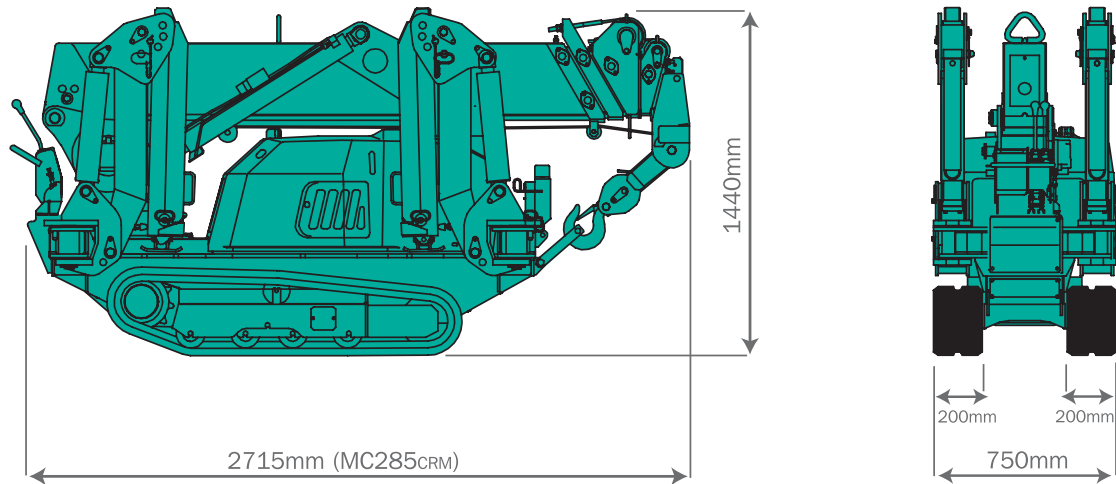
Offering the best balance of power and design

- Slim (750mm) Wide Body
- Programmable Moment Limiter
- Rubber Tracks
- Hydrostatic Transmission
- Tilt Sensor/Alarm
- Track System for Easier Manoeuvring
- Powerful Winch with Hydraulic Disc Brake
- Fully Automatic Pentagonal Section Boom
- Cable Remote Controller

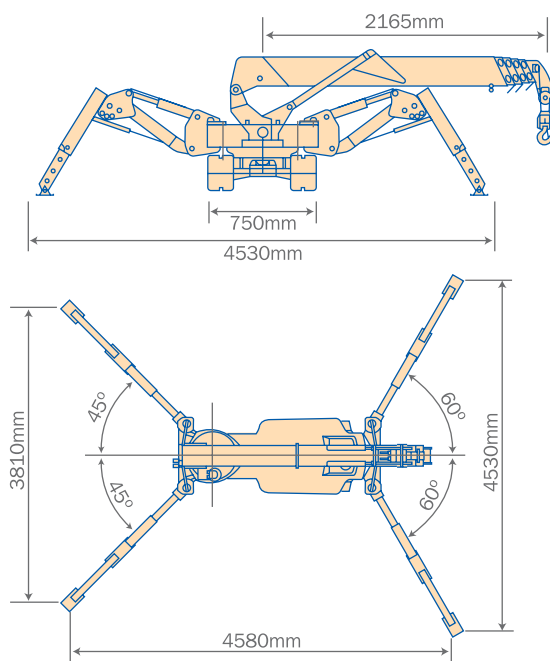
Specification		
Model		MC285CRM(E)
Crane capacity		2.82 t x 1.4m
Max. working radius		8.205m
Max. lifting height		8.7m
Hook speed		8m / min. (4 falls, 4th layer)
Single line speed		32m / min. (4th layer)
Hoist rope		IWRC 6 x Fi (29) 7mm x 48m
Telescopic system	Boom length Telescoping speed Boom type	2535m - 8575m 6.04m / 22 sec. Fully automatic 5 section pentagonal telescopic boom
Boom hoist system	Hoist angle / speed	0 - 80° / 14 sec.
Slew system	Slew angle / speed	360° continuous / 2.3 rpm
Outrigger system	Type Maximum extended dimensions	4 Multi position box type with lock valves (Length) 4580mm x (Front) 4530mm x (Rear) 3810mm
Traction system	Drive Travel speed Gradability Crawler length x width Ground pressure	Hydrostatic type, stepless forward and reverse 0 - 2.2 km/h 20° 975mm x 200mm 0.44 kg / cm ²
Engine	Model Type Rated output Starting method Fuel / Fuel tank capacity	Yanmar 2TNE68-ME 2 cylinder water cooled diesel 6.57 Kw / 2600 rpm Electric Diesel / 12L
Electric motor MC285CRME	Type Size	Fully enclosed fan cooled motor 5.5 Kw 4P 400V
Remote control system	Type	Cable remote controller, micro-speed mode, outrigger operation.
Dimensions	Length x Width x Height MC285CRM Weight MC285CRM Length x Width x Height MC285CRME Weight MC285CRME	2715mm x 750mm x 1440mm 1720kg 3285mm x 750mm x 1440mm 1900kg
Standard equipment		Working light, hour-meter, 4-fall hook block, black rubber tracks and safe load indicator.
Optional equipment		White rubber tracks, single fall hook, two fall hook, searcher hook (300kg max. capacity, weight approx 30kg), radio remote control.

Maeda MC285CRM(E) Dimensions

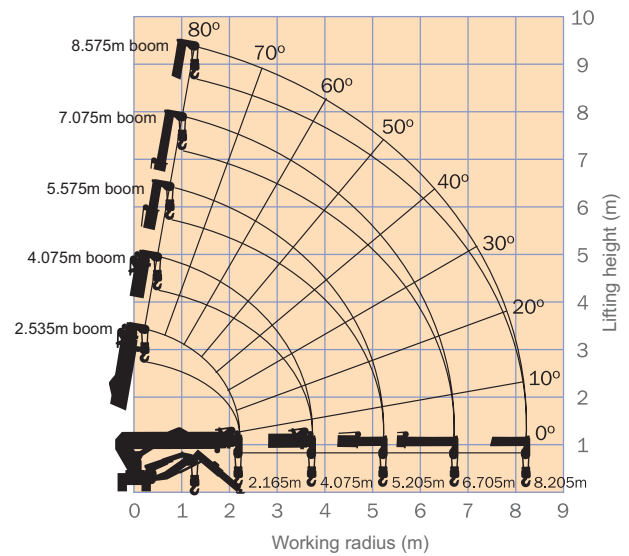
Overall Size



Outrigger Spread Dimensions



Working Range Chart



The Working Range Chart does not take into account boom deflection under load.

The maximum reach below ground level is:

Four Fall	Two Fall	Single Fall
10.10m	20.20m	40.20m



Maeda MC285CRM(E) Load Charts

Total rated load Outriggers at Maximum position

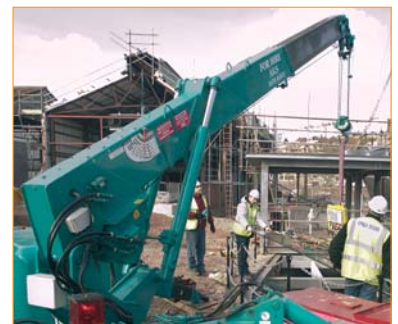
4.075m boom		5.575m boom		7.075m boom		8.575m boom	
Working radius (m)	Total rated load (kg)	Working radius (m)	Total rated load (kg)	Working radius (m)	Total rated load (kg)	Working radius (m)	Total rated load (kg)
< 1.4	2820	< 3.0	1220	< 3.6	820	< 4.0	550
1.5	2520	3.5	970	4.0	740	4.5	400
2.0	1920	4.0	780	4.5	580	5.0	340
2.5	1570	4.5	630	5.0	480	5.5	300
3.0	1220	5.0	530	5.5	430	6.0	270
3.5	970	5.205	530	6.0	380	6.5	230
3.705	920			6.5	350	7.0	200
				6.705	330	7.5	180
						8.0	150
						8.205	150

Total rated load Outriggers at any other position

4.075m boom		5.575m boom		7.075m boom		8.575m boom	
Working radius (m)	Total rated load (kg)	Working radius (m)	Total rated load (kg)	Working radius (m)	Total rated load (kg)	Working radius (m)	Total rated load (kg)
< 1.5	1720	< 3.0	510	< 3.6	400	< 4.0	330
2.0	1070	3.5	410	4.0	330	4.5	280
2.5	630	4.0	330	4.5	280	5.0	230
3.0	520	4.5	280	5.0	230	5.5	180
3.5	430	5.0	230	5.5	180	6.0	160
3.705	350	5.205	200	6.0	160	6.5	150
				6.5	150	7.0	100
				6.705	140	7.5	80
						8.0	70
						8.205	60

The Total Rated Load Charts are based on the actual working radius including boom deflection. The weight of the hook (standard 4 fall - 20kg) must be included as part of the load shown in the Total Rated Load Charts.

When using two fall or single fall hooks, use the appropriate four fall Total Rated Load Chart above but with a **maximum load** of: Two Fall - 1410kg, Single Fall - 710kg.



Maeda Mini Crawler Cranes Little cranes with **BIG** ideas



For further details please contact Kranlyft. Due to improvements, the specifications are subject to change without notice.



+46 31 80 70 00
+44 117 982 6661

INFO@KRANLYFT.COM
WWW.MAEDAGRANES.COM

Distributor: